



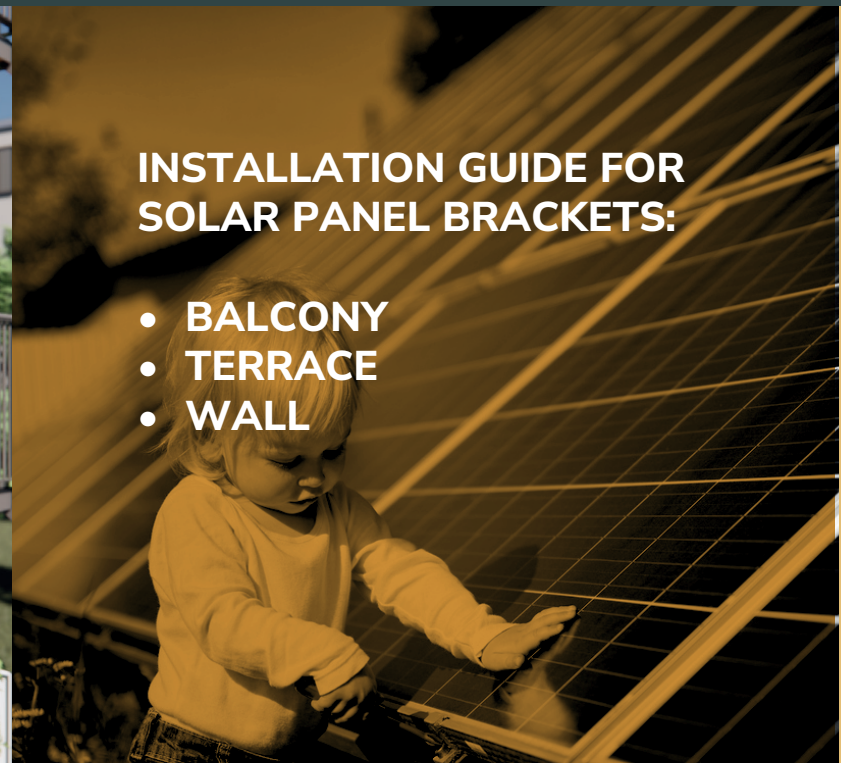
Moving towards
a greener tomorrow

Experience the forefront
of energy innovation with us



INSTALLATION GUIDE FOR SOLAR PANEL BRACKETS:

- BALCONY
- TERRACE
- WALL



Scan to get the user manual
and installation video for
your solar panel kit

[esunra.com](https://www.esunra.com)

| Installation Guide

Installation Material

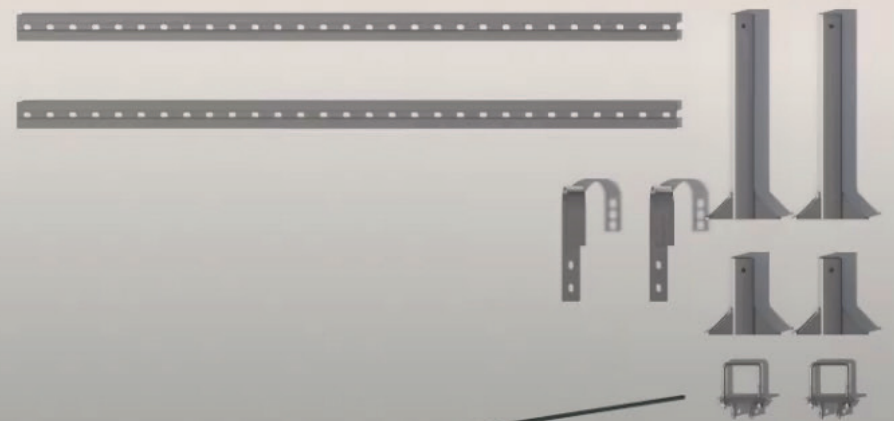
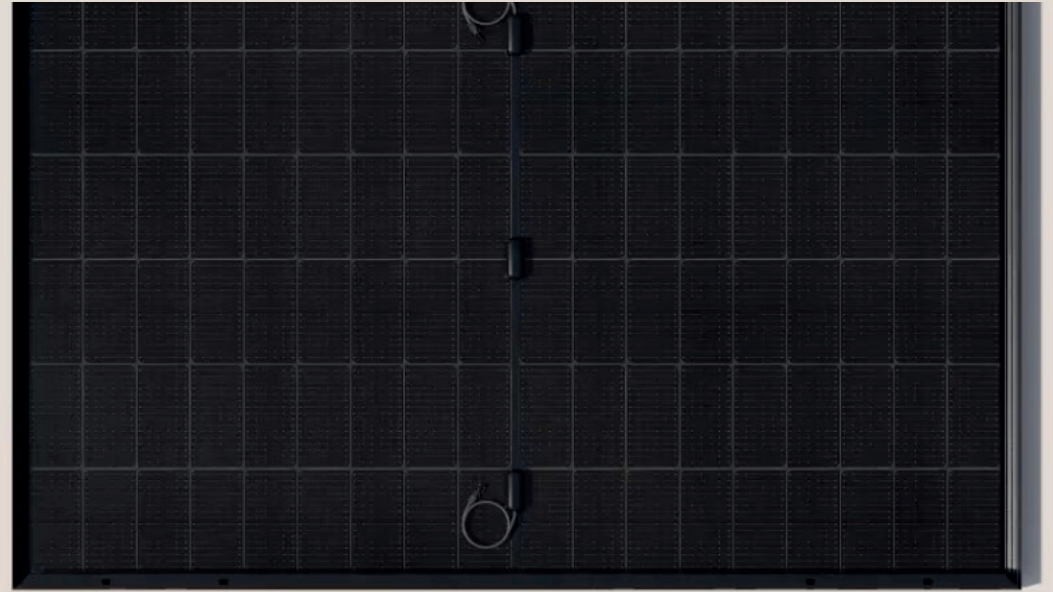


Solar panel front



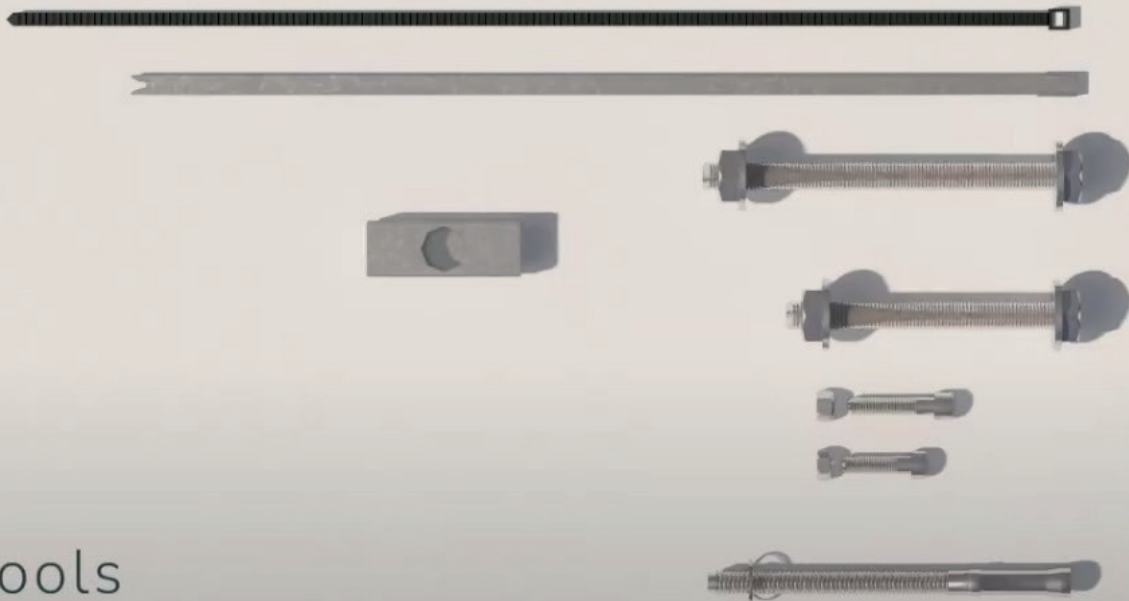
Solar panel back

Installation Material



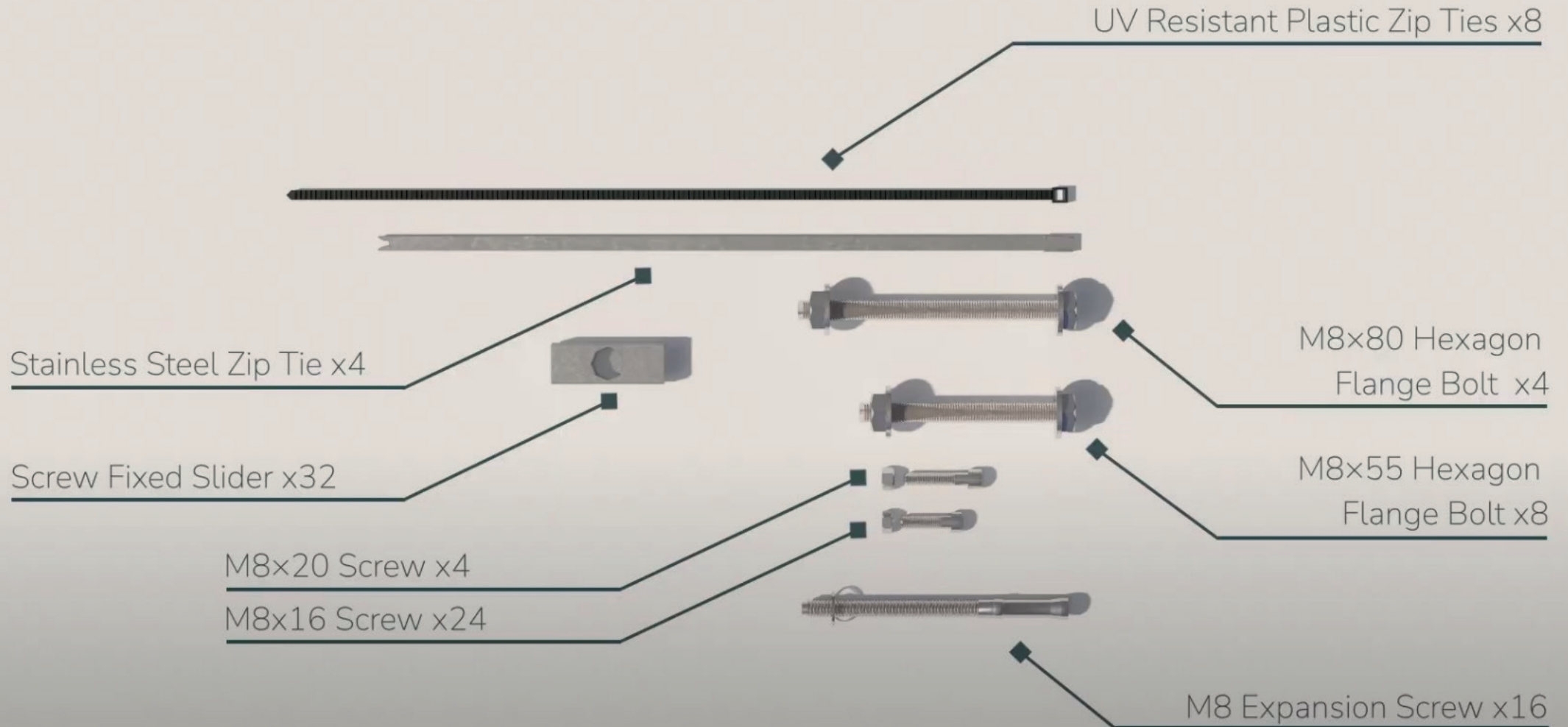
U - Clamps x4

Installation Material

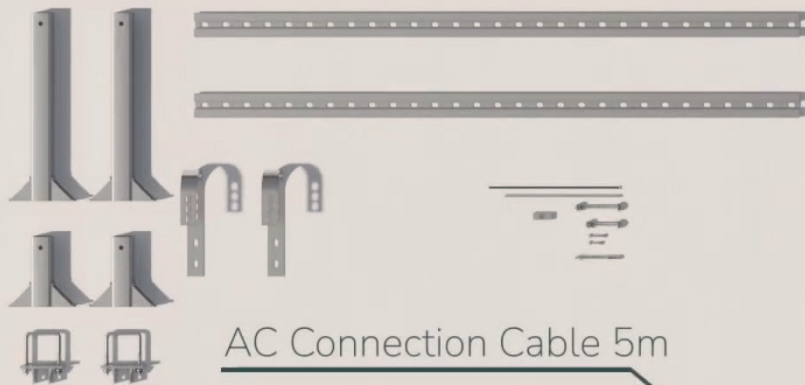
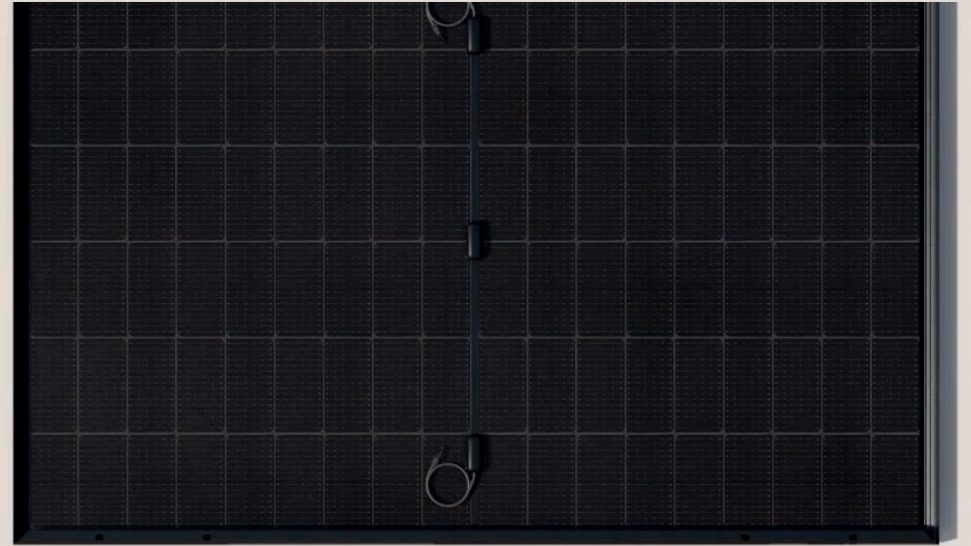


Fixing tools

Installation Material



Installation Material



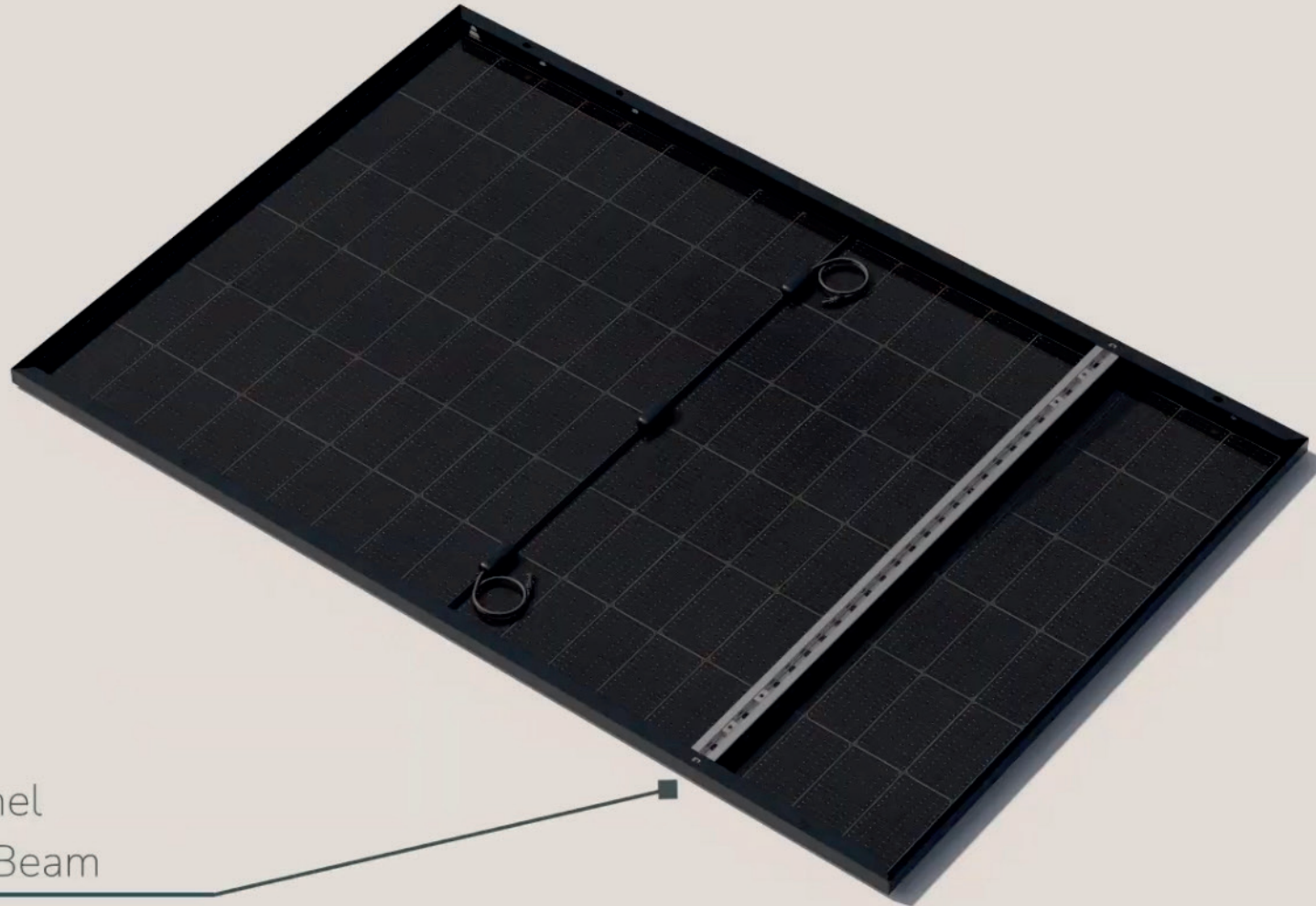
AC Connection Cable 5m



BDM-800
Microinversor

| Basic Installation

Basic Installation

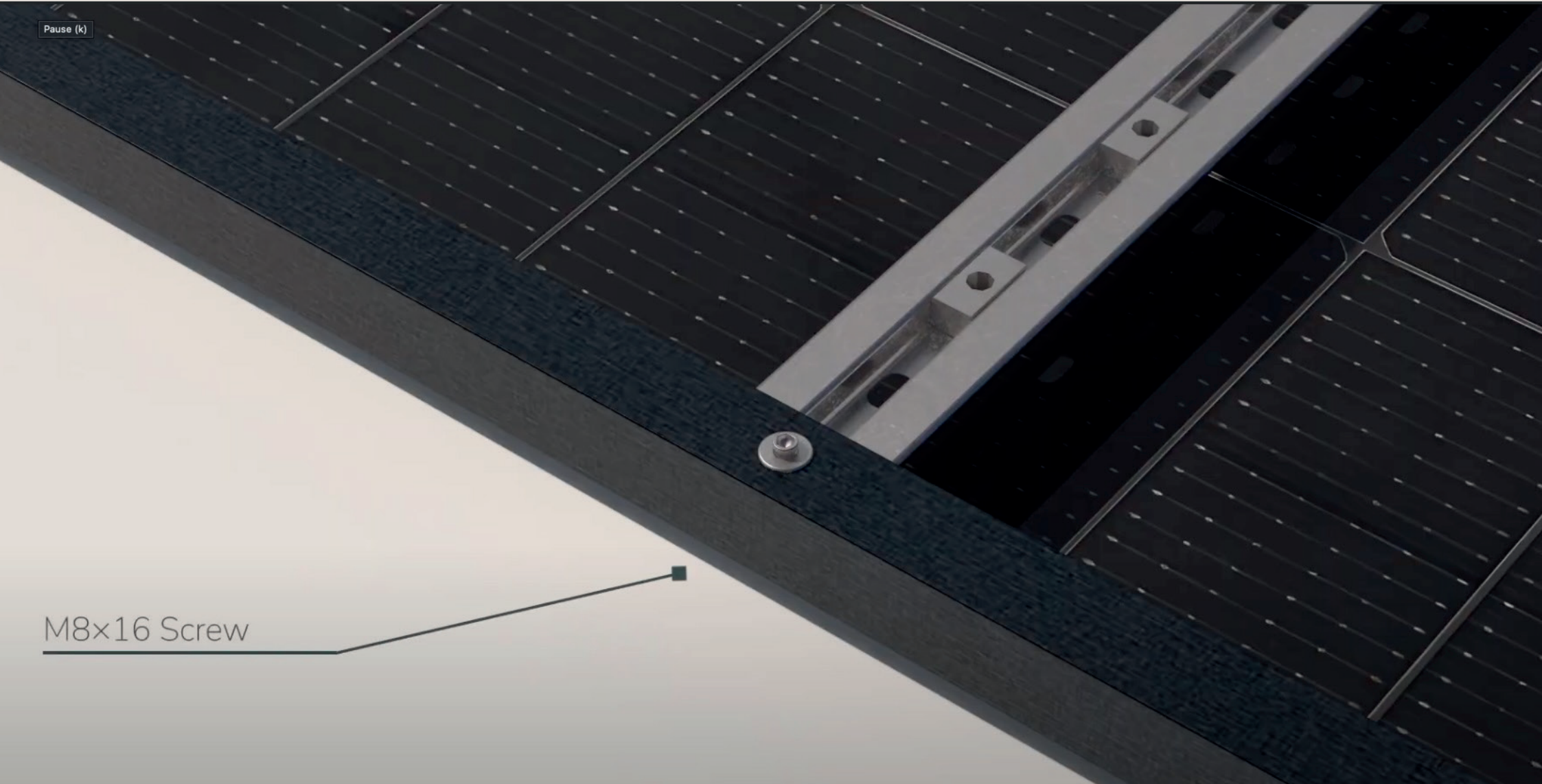


Solar Panel
Support Beam

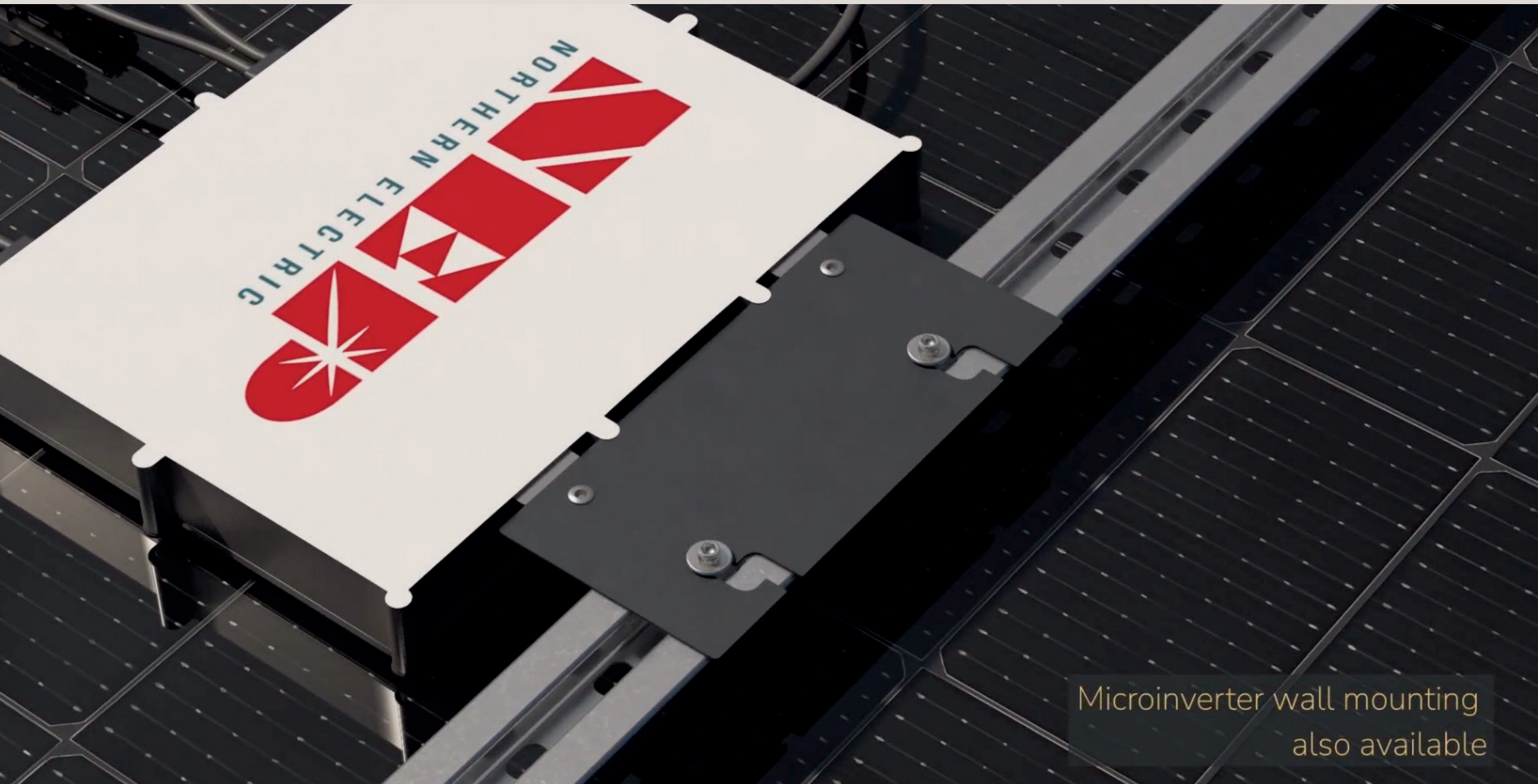
Basic Installation

Pause (k)

M8x16 Screw



Basic Installation

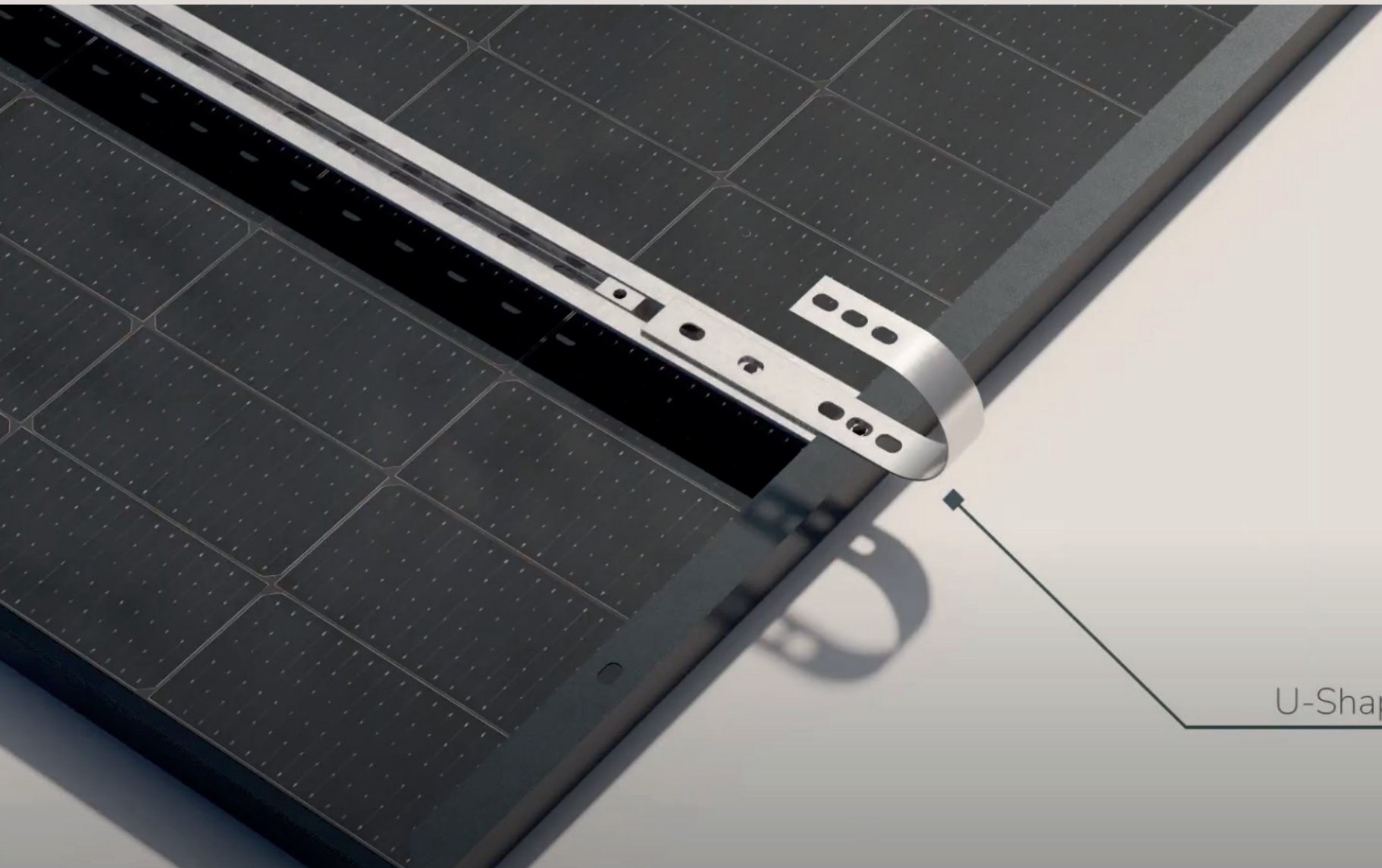


Microinverter wall mounting
also available

Balcony Solar Panel

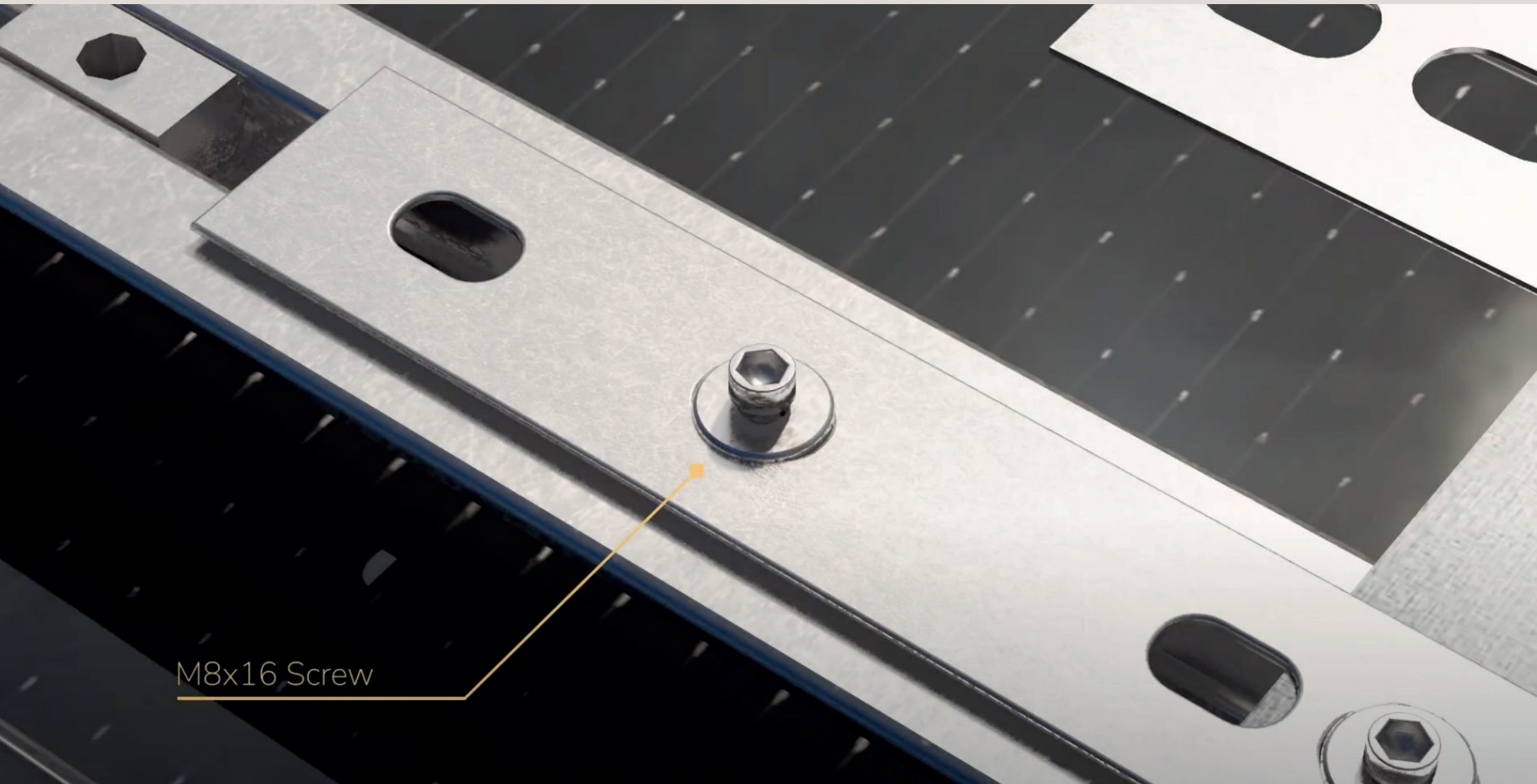


Balcony Solar Panel



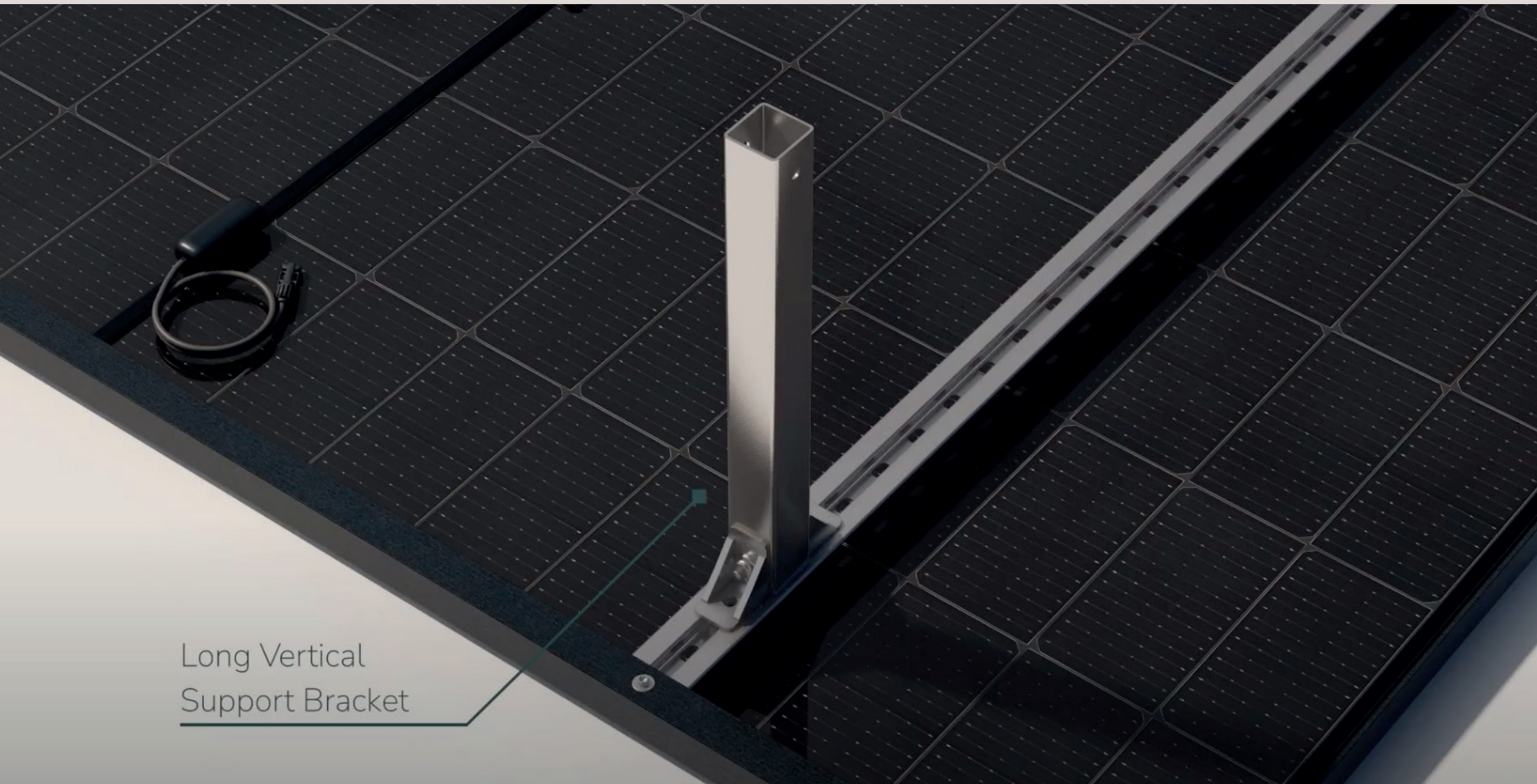
U-Shape Hook

Balcony Solar Panel



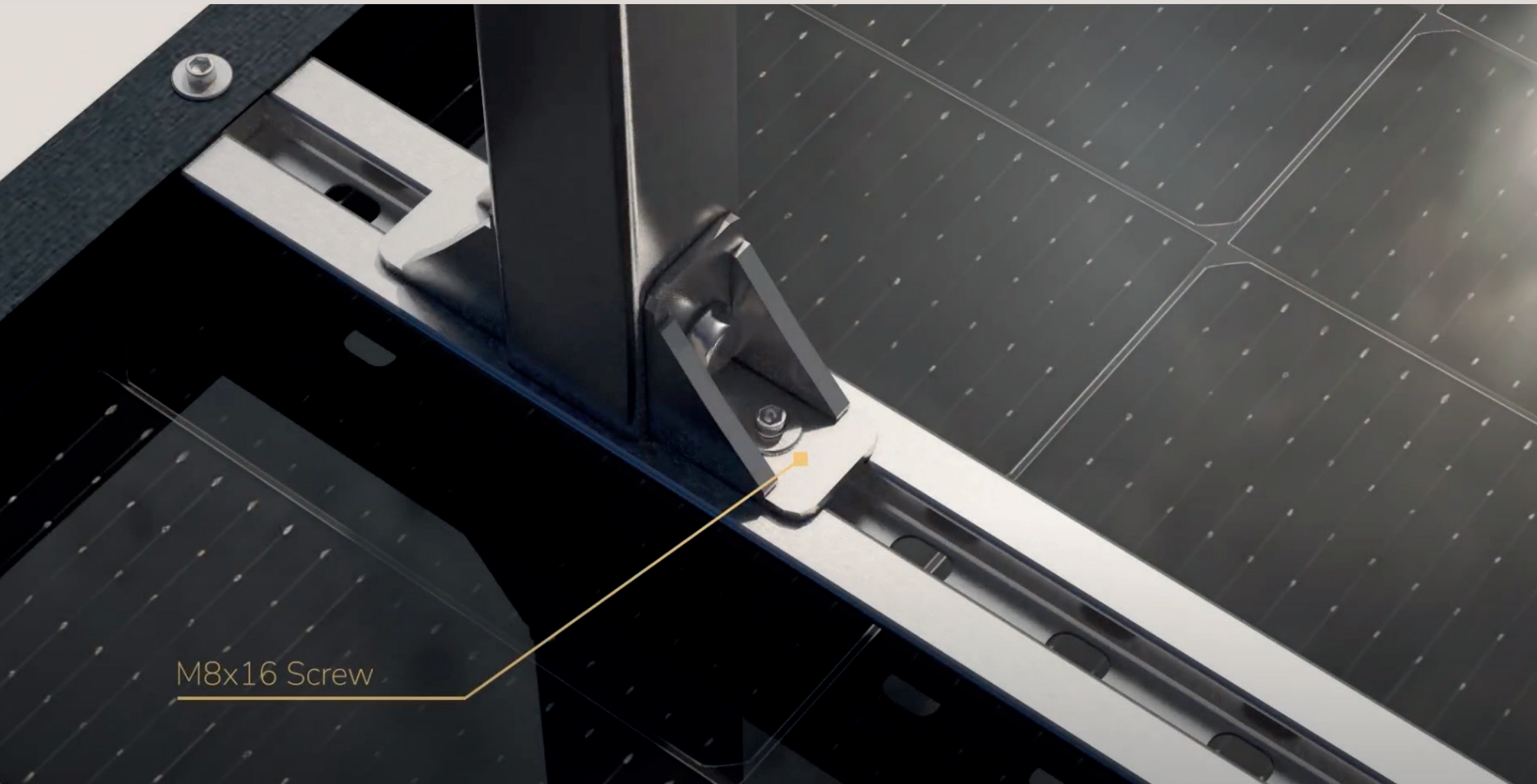
M8x16 Screw

Balcony Solar Panel



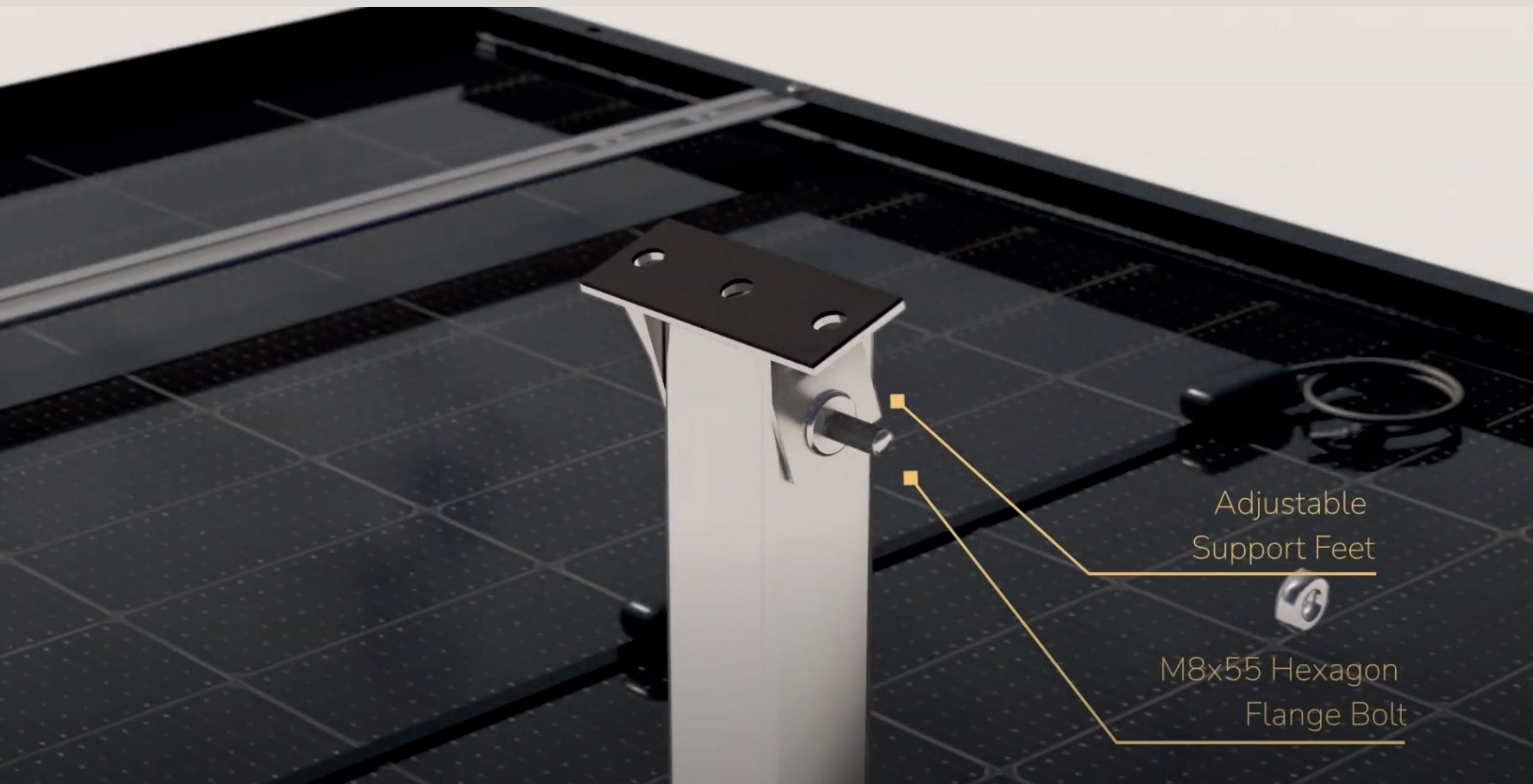
Long Vertical
Support Bracket

Balcony Solar Panel



M8x16 Screw

Balcony Solar Panel



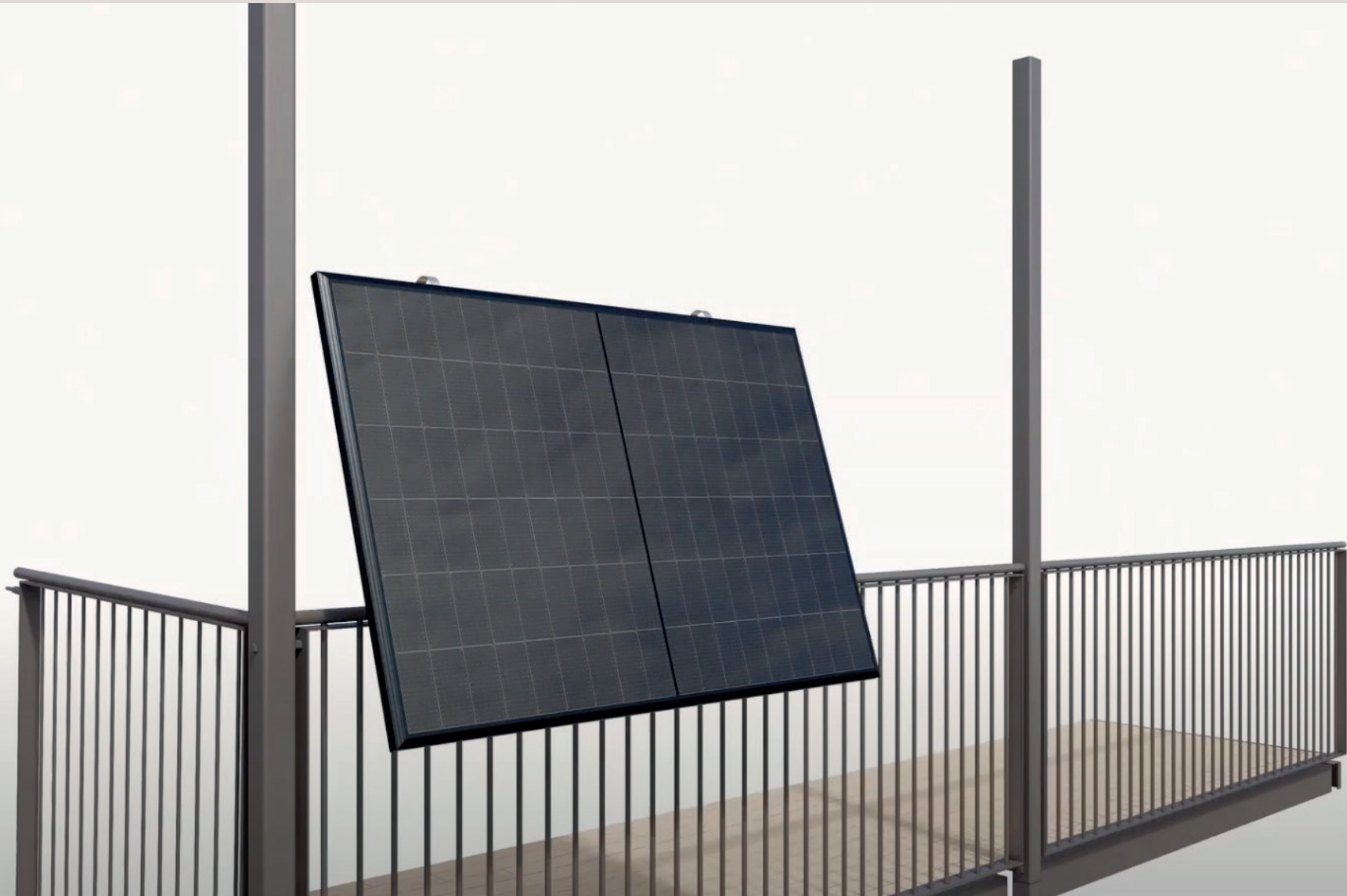
Adjustable
Support Feet

M8x55 Hexagon
Flange Bolt

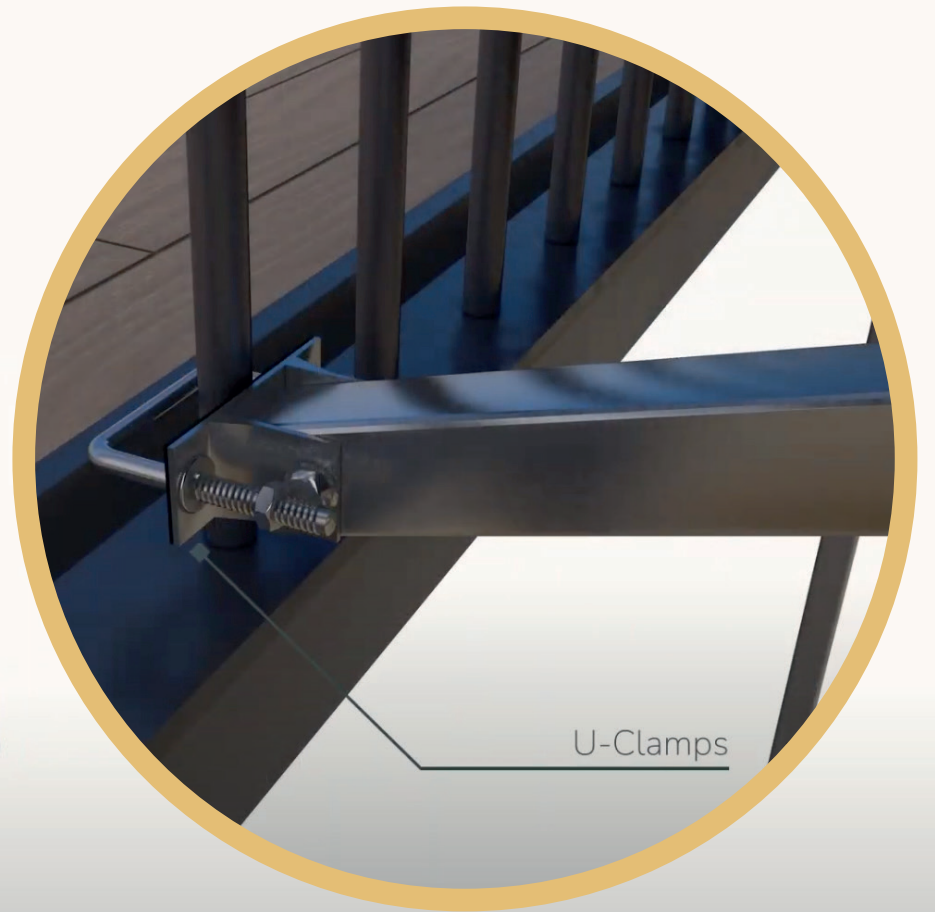
Balcony Solar Panel



Balcony Solar Panel



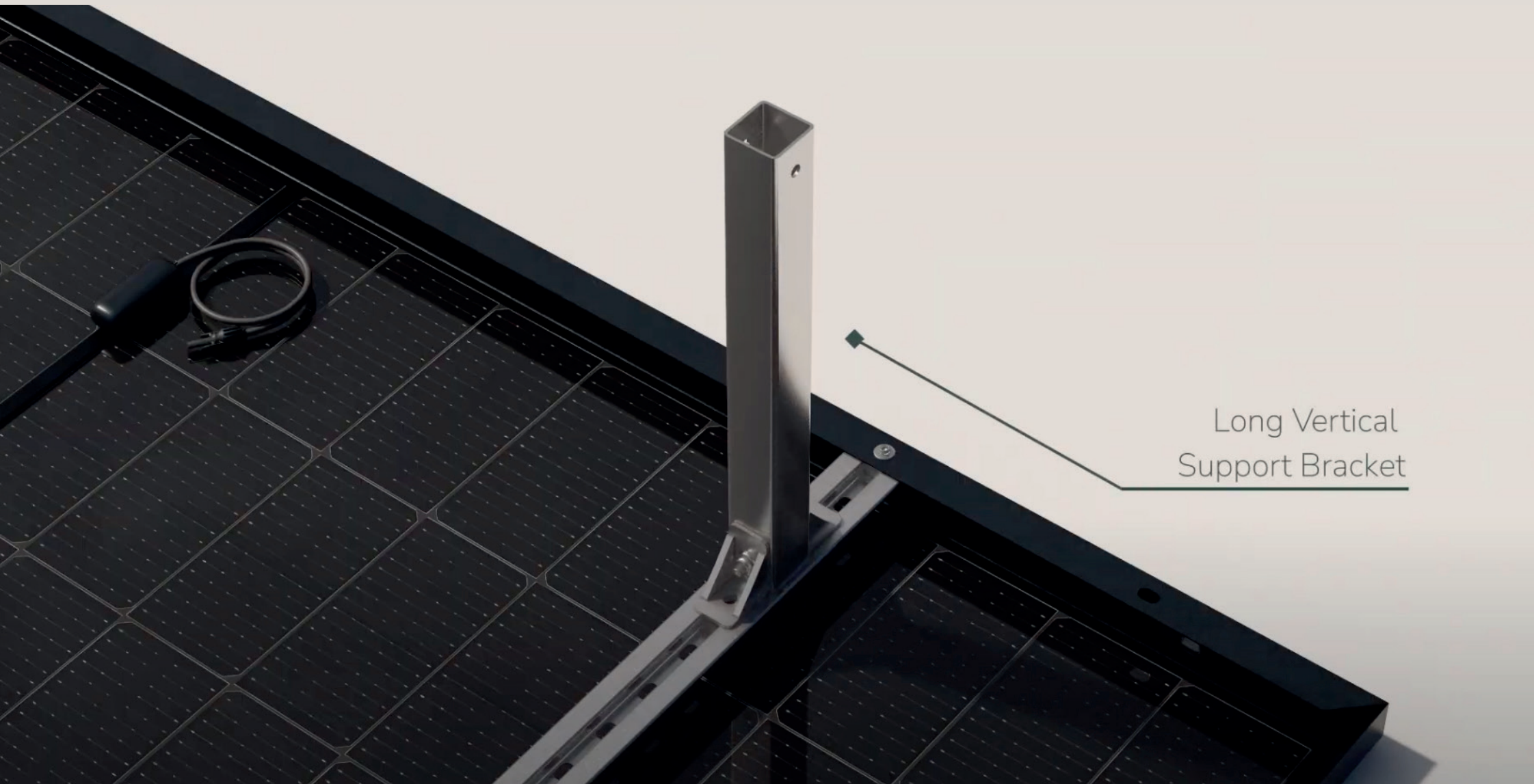
Balcony Solar Panel



Wall Solar Panel

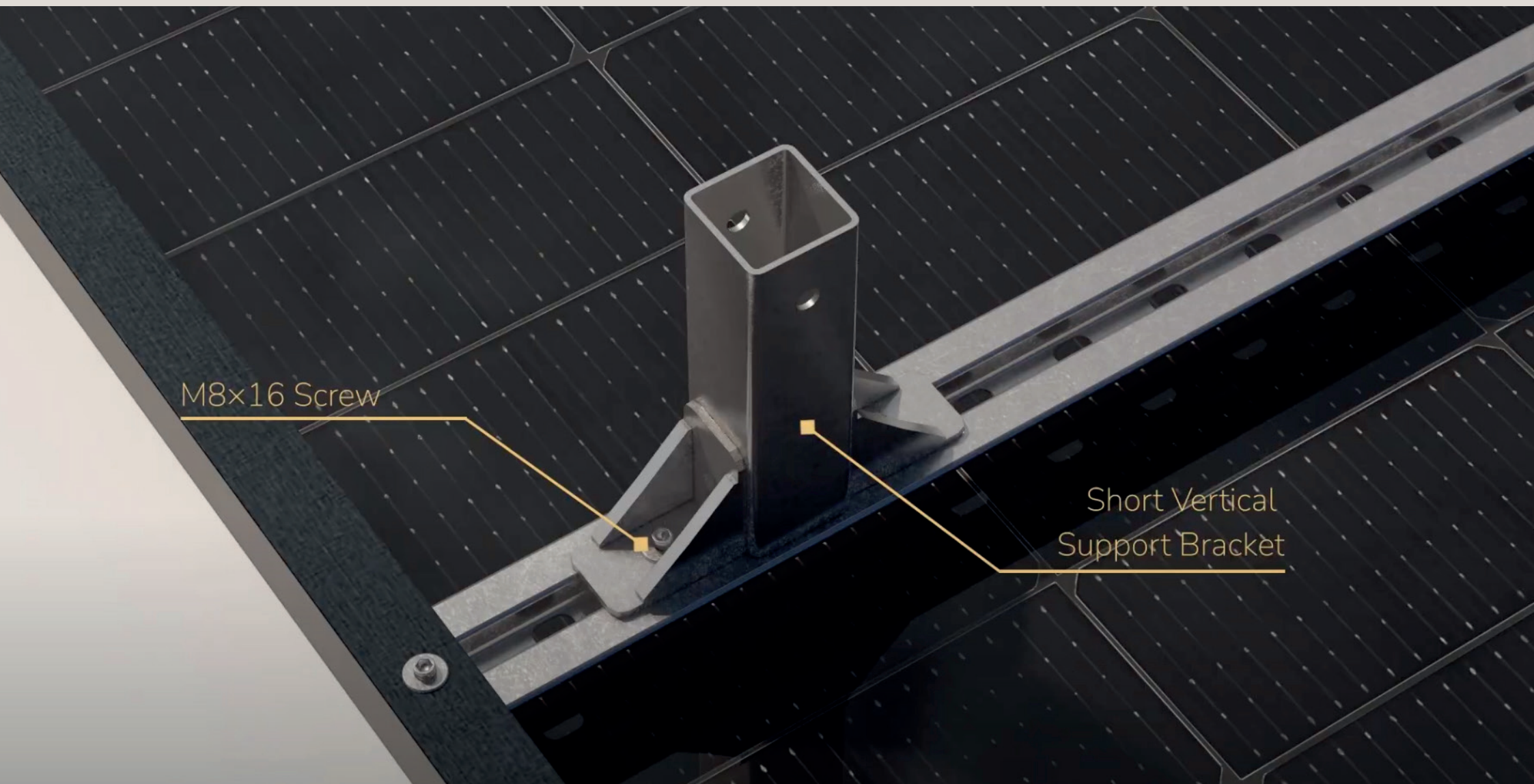


Wall Solar Panel



Long Vertical
Support Bracket

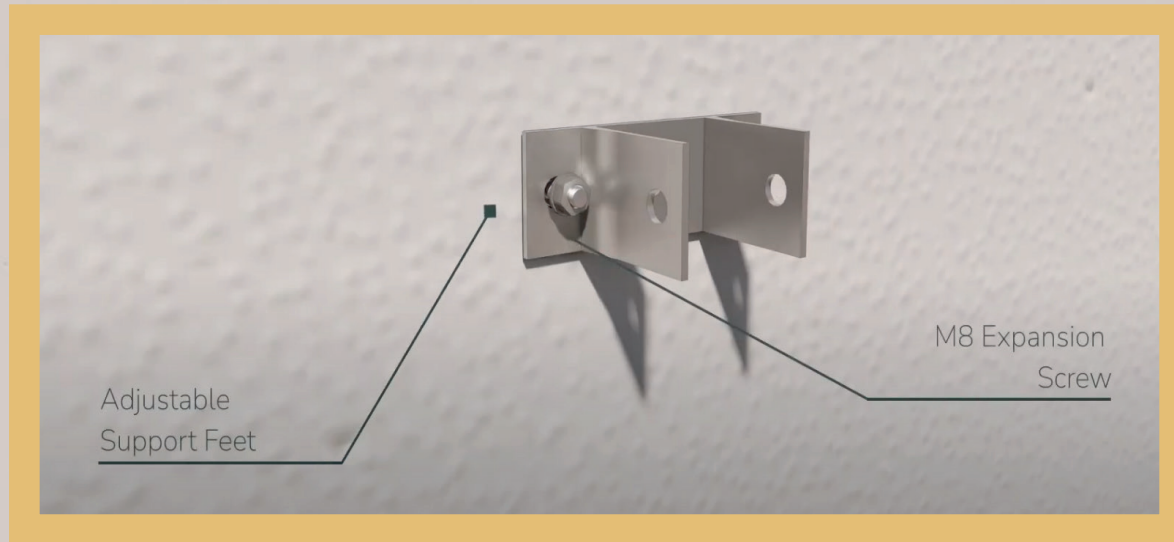
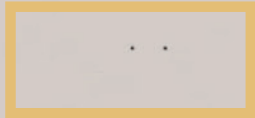
Wall Solar Panel



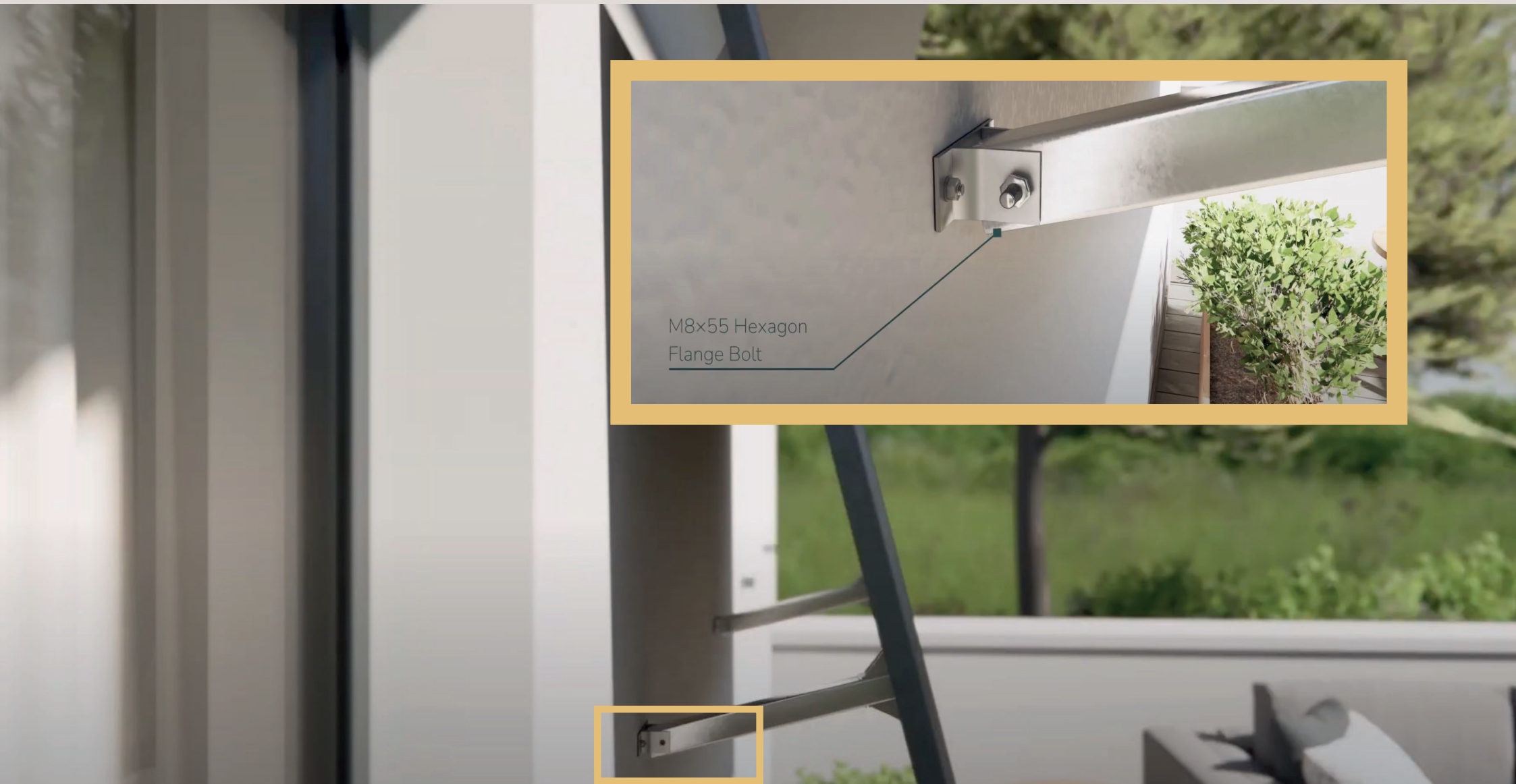
M8x16 Screw

Short Vertical
Support Bracket

Wall Solar Panel



Wall Solar Panel

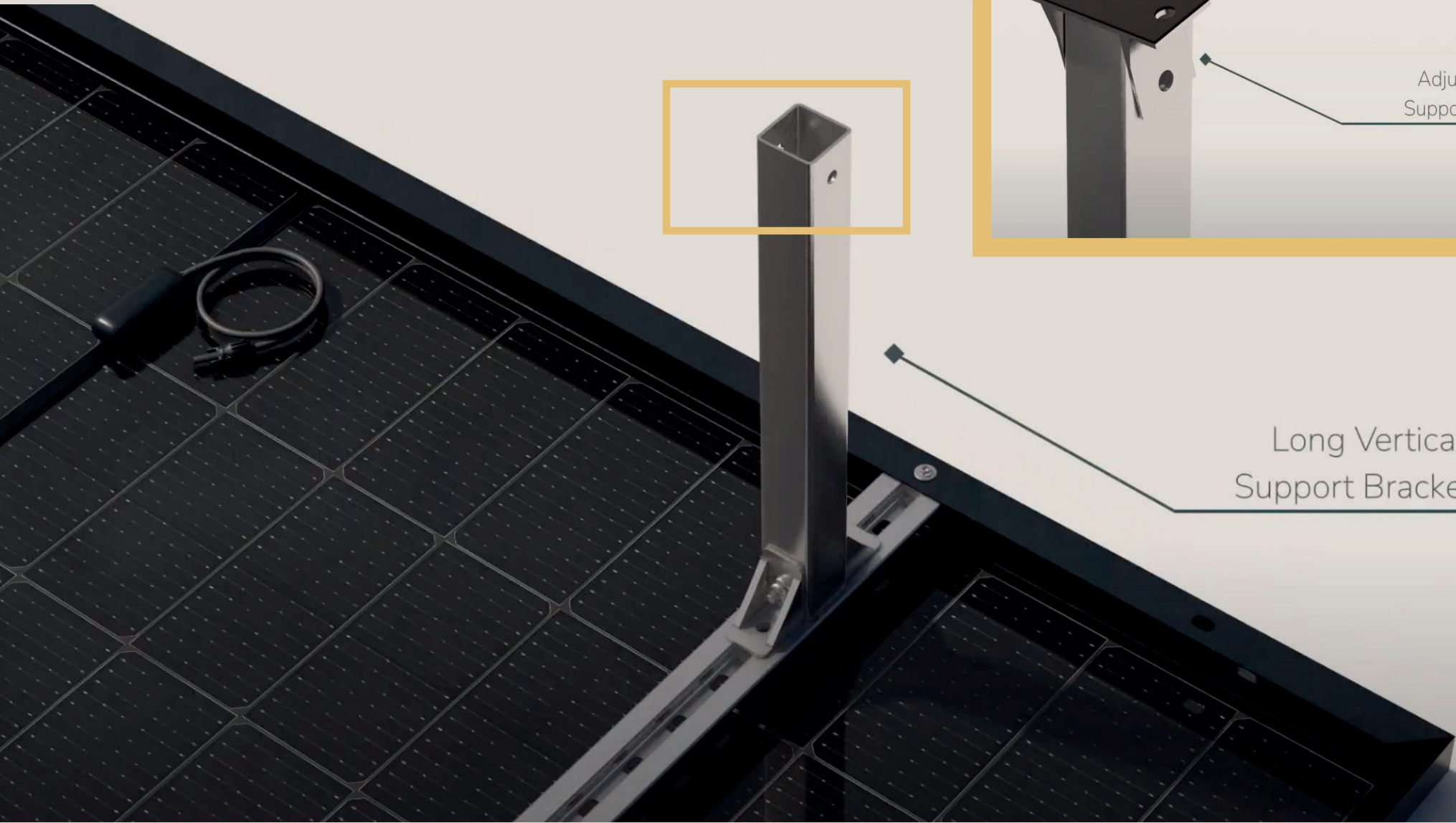


M8x55 Hexagon
Flange Bolt

Terrace Solar Panel



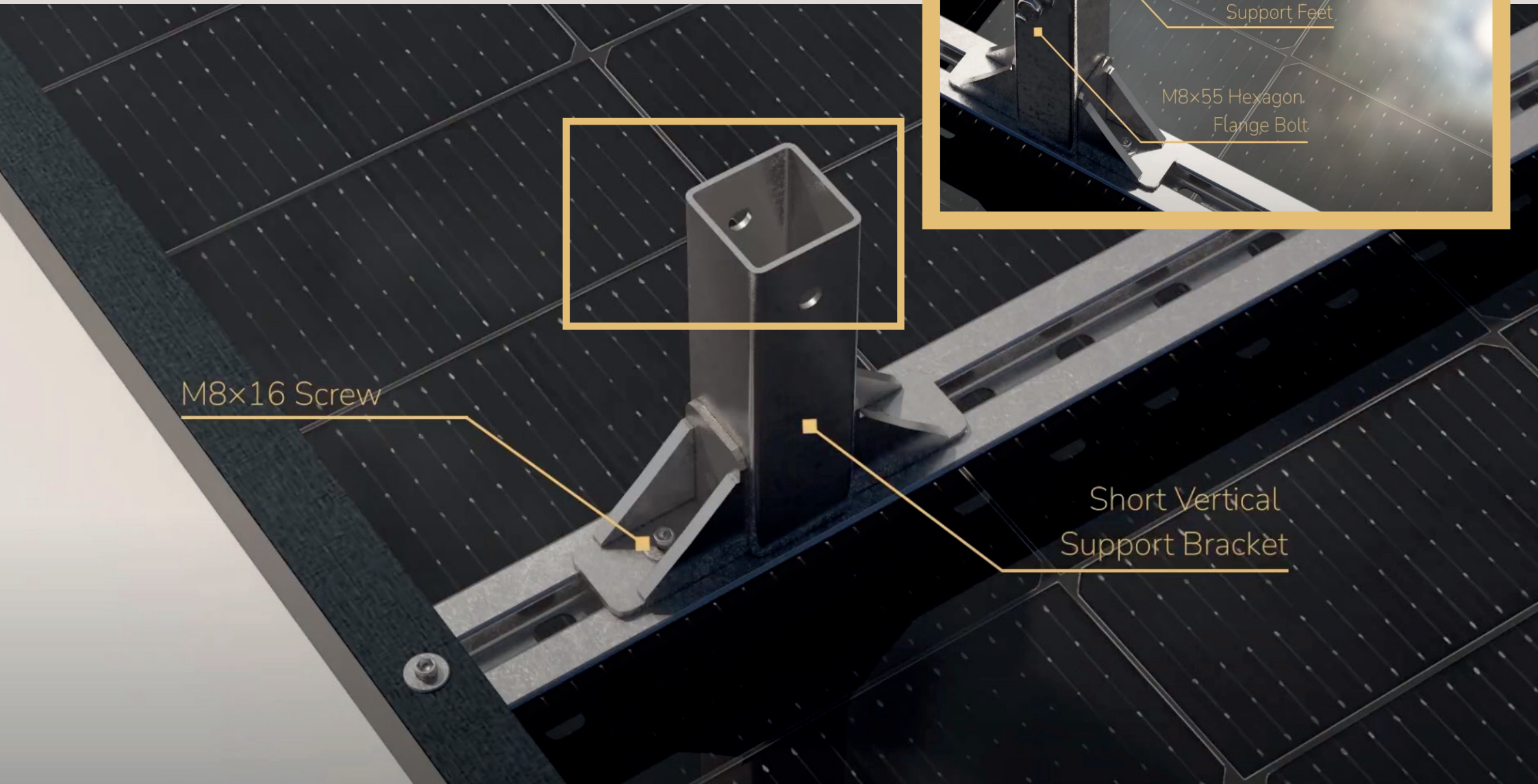
Terrace Solar Panel



Adjustable
Support Feet

Long Vertical
Support Bracket

Terrace Solar Panel



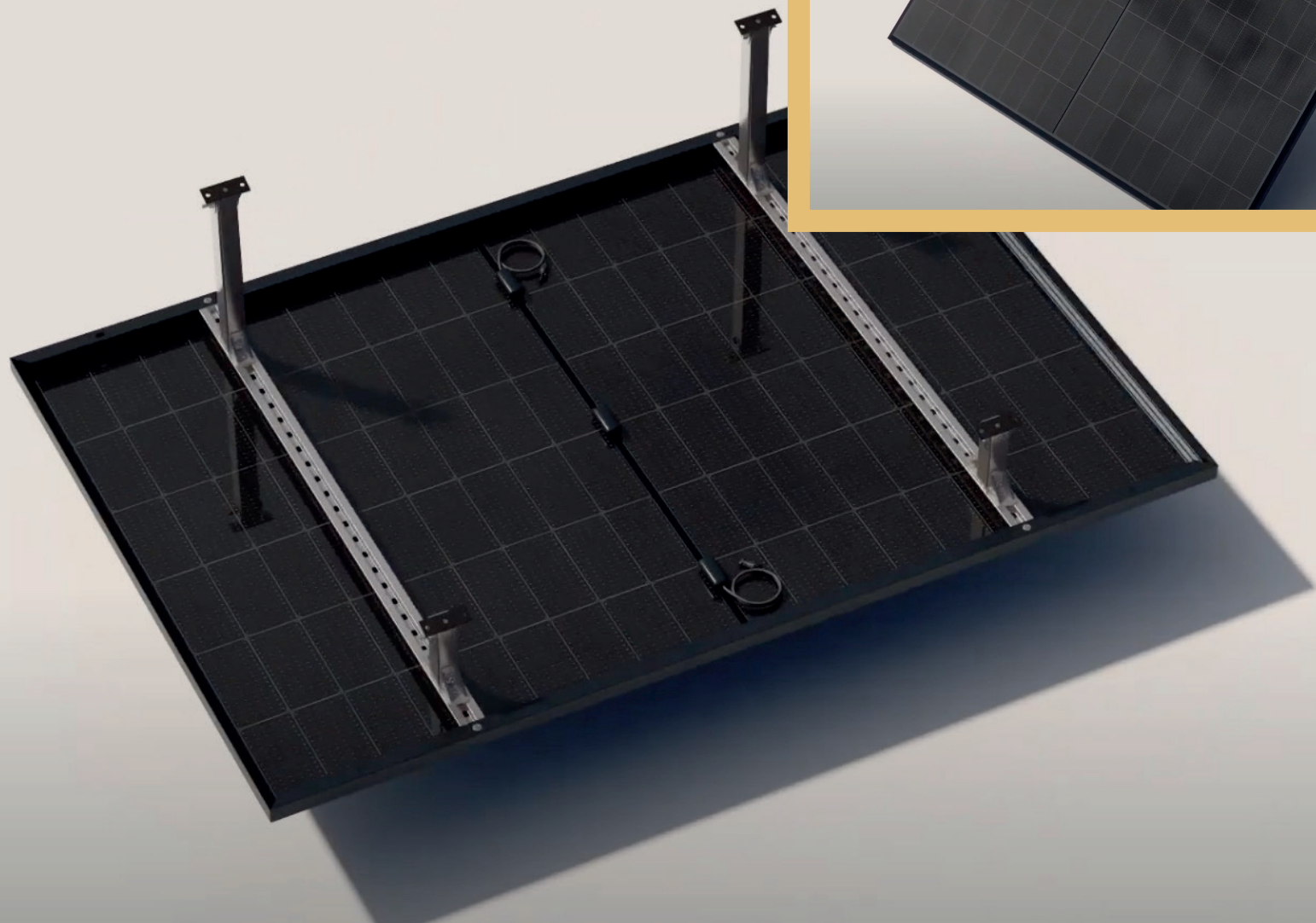
M8x16 Screw

Short Vertical Support Bracket

Adjustable Support Feet

M8x55 Hexagon Flange Bolt

Terrace Solar Panel





Moving towards
a greener tomorrow

Experience the forefront
of energy innovation with us



INSTALLATION GUIDE FOR SOLAR PANEL BRACKETS:

- **BALCONY**
- **TERRACE**
- **WALL**



Scan to get the user manual
and installation video for
your solar panel kit

esunra.com